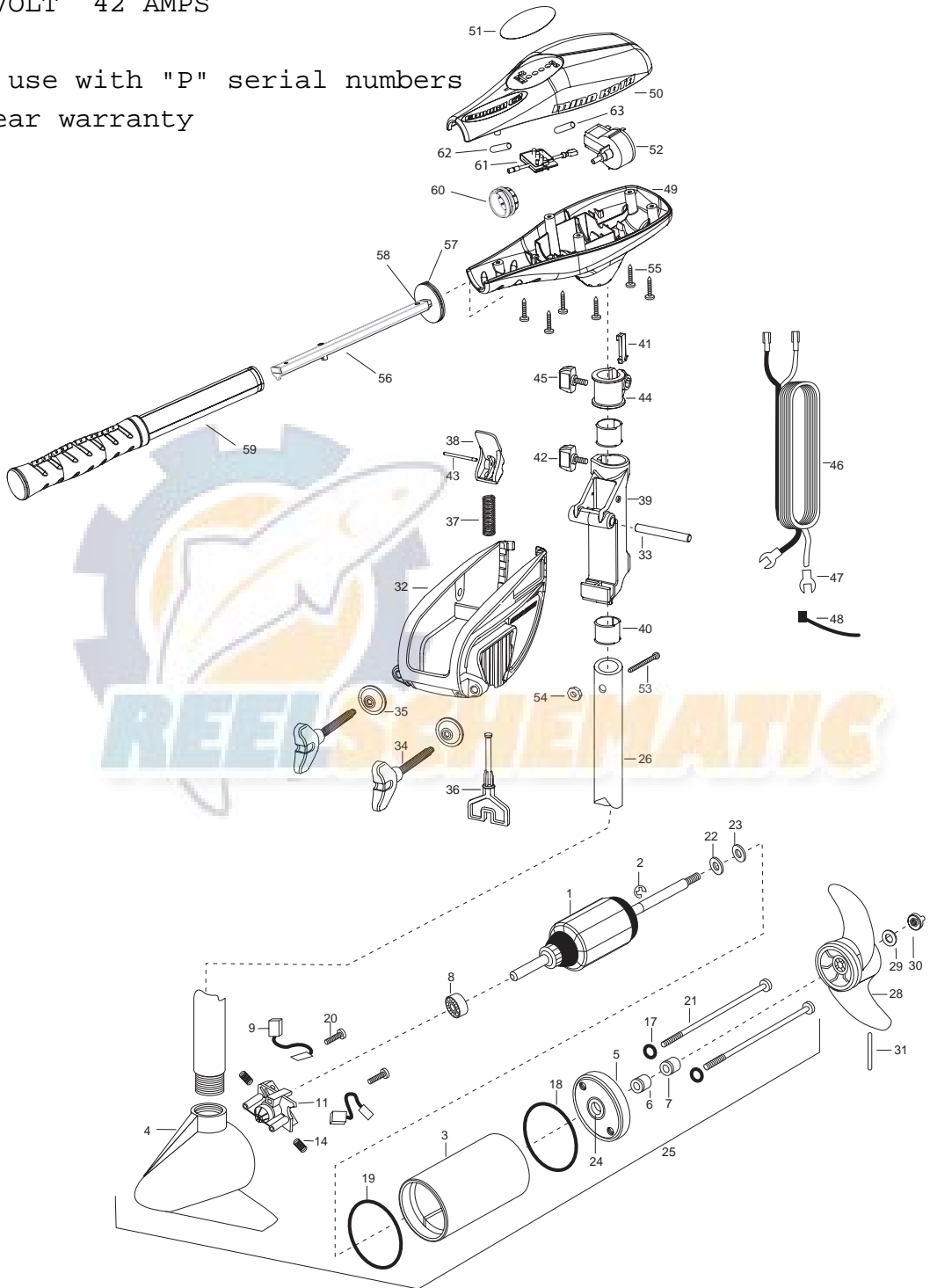


# RIPTIDE 45/SC/T - 36" PARTS DIAGRAM

12 VOLT 42 AMPS

for use with "P" serial numbers

2-year warranty



# RIPTIDE 45/SC/T - 36" PARTS LIST

<b>Item</b>	<b>Part Number</b>	<b>Description</b>
1	2-100-202	ARMATURE ASSEMBLY 12v 3.25
2	788-015	RETAINING RING
3	2-200-379	HOUSING ASSEMBLY CENTER 3.25 SW TXT
4	2-300-332	BRUSH END HOUSING ASSEMBLY 3.25 5-SPC SW
5	2-400-328	PLAIN END HOUSING ASSEMBLY 3.25 SW
6	880-003	SEAL
7	880-006	SEAL W/SHIELD
8	140-010	BALL BEARING
9	188-052	BRUSH ASSEMBLY [2.EA]
11	738-030	BRUSH PLATE W/HOLDER 3.25
14	975-032	SPRING-COMPRESSION [2.EA]
■	2883460	SEAL AND O RING KIT
17	701-007	O-RING- THRU BOLT [2.EA]
18	701-039	O-RING MK406460
19	701-041	O-RING
20	830-001	SCREW- SELF THREAD 8-32X1.7 [2.EA]
21	830-078	THRU BOLT 8-32X8.0 [2.EA]
22	990-067	WASHER- STEEL THRUST
23	990-070	WASHER- NYLATRON [2.EA]
24	144-049	FLANGE BEARING (SERVICE ONLY)
25	2069284	MOTOR ASSEMBLY 12 V 3.25 5SPC SW TXT
26	2002021	TUBE-COMPOSITE, WHT, 36"
■	1378121	PROP W/DRIVE PIN, WASHER, NUT KIT
28	2061122	PROPELLER 3.25 HUB DIA
29	2151726	WASHER- 5/16 STD SS
30	2198400	ANODE, ZINC, 3.25/3.62"
31	2092600	PIN-DRIVE
■	2771816	BRACKET & HINGE ASSEMBLY (INCLUDES 32-43)
■	2771913	BRACKET ASSEMBLY (INCLUDES 32, 34, 35)
*32	2061910	BRACKET
33	2060511	PIN-HINGE SS
*34	2061301	SCREW-CLAMP SS [2.EA]
*35	2331700	WASHER-CLAMP SCREW SS [2.EA]
36	2063605	T-BAR, PLASTIC

## PARTS LIST (cont.)

<u>Item</u>	<u>Part Number</u>	<u>Description</u>
37	2062706	SPRING- (T-BAR)
38	2067201	LEVER-TILT BLACK
39	2061810	HINGE-PLASTIC
40	2037301	BUSHING-HINGE [2.EA]
41	2062800	TENSION BLOCK-SNAP IN
42	2011386	SCREW, TENSION/KNOB SS
43	2060516	PIN, TILT LEVER SS
44	2061520	COLLAR-DEPTH
45	2011366	SCREW-COLLAR/NEW KNOB SS
46	2020631	LEADWIRE (10 GA) FLAG/PIGGYBACK
47	2020703	SPADE TERMINAL 14GA HD [2.EA]
48	2026300	TIE WRAP
49	2062517	CONTROL BOX WHT
50	2060218	CONTROL BOX COVER WHT
51	2095634	DECAL COVER RIPTIDE BATTERY METER
52	2064028	SWITCH-FWD/REV 5 SP
53	2033403	SCREW-10-24 X 1-3/4 SS
54	2333101	NUT-10-24 HEX SS
55	2372100	SCREW-8-18 X 5/8 SS [6.EA]
56	2990919	INNER HANDLE ASSEMBLY
57	2060405	PIVOT, HANDLE
58	2012104	SCREW-6 x 1/2" SS
59	2990928	OUTER HANDLE ASSEMBLY
60	2060009	FRONT BEARING
61	2074080	BATTERY METER 12V, SW
62	2305415	SHRINK TUBE - .472 ID x 2.25"
63	2305410	SHRINK TUBE - .315 OD x 2.25"

\* This item is part of an assembly. This item cannot be sold separately due to machining and/or assembly that is required.

# WIRING DIAGRAM

